

WRAPter[™] “All In One” Outdoor Wireless Router

Full Feature Routers Optimized for IP Video with Integrated Antenna Enclosures

LESS IS MORE. HauteSpot's products are designed around three principles: multifunction, cost effectiveness, and a small eco footprint.

Designed for Video Streaming

The WRAPter[™] family shares a common processor architecture with the HauteWRAP, HauteSpot Networks' multi-purpose, high performance router family. It is designed primarily for point to multi-point configurations.

WRAPterSTATION - Used in pairs to create point to point links or as station in point to multi-point topology.

WRAPterBASE - Used as base station in point to multipoint and mesh configurations.

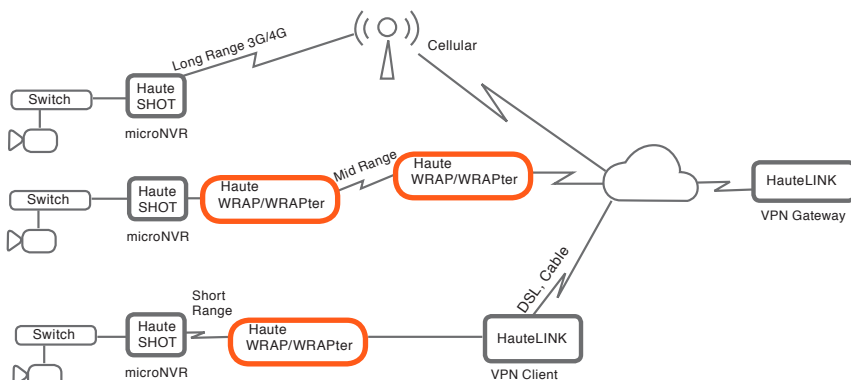
The WRAPter family provides high data rates thanks to MIMO technology, a low latency, non-blocking processor architecture, and HauteSpot's TDMA like protocol. It combines the reliable performance of HauteWRAP wireless routers with high gain antennas into a simple to install, attractive and rugged solution.

Smart. Simple. Saves Time.

Both WRAPterBASE and WRAPterSTATION can be installed in minutes to any 1.5" dia. pipe, wall, or to a universal mounting bracket. Install, connect, and power on— it's just that simple. The user-friendly Web interface allows configuration from a laptop computer or tablet (with Ethernet cable), so even non-technical users can do it.

Power Efficient & Rugged

The WRAPter family of routers are all designed for outdoor use. They are compact, dust, and water resistant. The WRAPters are constructed of high quality materials and withstand corrosive marine environments. With a total operating power of only 6 Watts (typical), the WRAPters are ideal for use with solar power. The neutral color scheme and smooth lines of the enclosure blend in well with most locations where aesthetics are important.



HauteSpot products family



Applications

- Campus and parking lots
- City Municipal
- Warehouse and depots
- Oil and Gas field and pipelines
- Transit facilities

Benefits

- Simple to install
- Aesthetically pleasing
- Low power – ideal for solar applications
- Light weight, easy to ship, carry and lift
- “All-in-one” easy installation process
- Easy to configure and manage

SPECIFICATIONS 2.3

RADIO MODULE FEATURES

DATA RATES

- OFDM :
 - BPSK. 6Mbps, 9 Mbps
 - QPSK. 12Mbps, 18Mbps
 - 16QAM. 24Mbps, 36Mbps
 - 64QAM. 48Mbps, 54Mbps
- DSSS: 1, 2, 5.5, 11 Mbps.
- MIMO :
 - 20MHz 1Nss
 - 65 Mbps@800GI
 - 72.2 Mbps@400GI (Max.)
 - 20MHz 2Nss
 - 130 Mbps@800GI
 - 144.4 Mbps@400GI (Max.)
 - 40MHz 1Nss
 - 135 Mbps@800GI
 - 150 Mbps@ (Max.)
 - 40MHz 2Nss
 - 270 Mbps@800GI
 - 300 Mbps@400GI (Max.)

CHANNEL WIDTH

- 5/10/20/40 MHz

NETWORK STANDARDS

- WECA (Wi-Fi & Wi-Fi5)
- IEEE 802.11, a, b, e, f, g, h, i, n, s, w.

COMPLIANCE

- FCC Part 15 Class B (modular)
- ETSI 300.328
- ETSI 300.826
- CE mark
- FCC Part 90Y (modular)

HARDWARE FEATURES

- High performance embedded processor
- 1 ea. 10/100/1000 Base-TX Ethernet port (with auto MDI/MDIX) w/PoE input
- Reverse voltage and transient protection
- -20°C to 70°C operating temperature
- Voltage and temperature monitor
- Watchdog timer
- Real Time Clock
- 1 ea. Waterproof RJ45 Ethernet connector
- Pole mount included (surface mount optional)
- Passive PoE injector with 90-240VAC input to 18VDC output power supply included
- European power pins optional

PHYSICAL & ENVIRONMENTAL

- 6 Watts nominal
- 11-27 VDC input voltage
- IP67

WRAPterBASE

- 4.7 lbs
- 22.8" (W) x5.9" (L) x2.4" (H)

WRAPterSTATION2/ 5-21/ 9

- 5.3 lbs
- 15.16" (W) x15.16" (L) x3.15" (H)

WRAPterSTATION5-16

- 1.3 lbs
- 7.4" (W) x7.4" (L) x2.2" (H)

ROUTER FEATURES

- "TDMA-like" protocol for video performance
- MAC repeater settings for each client (Enable/disable for each MAC address)
- MAC Firewall
- Client statistics (current signal level/quality, rate tx/rx, bytes tx/rx, radio rate)
- Authentication via remote RADIUS server using captive portal
- 40 and 128 bit WEP, WPA and WPA2 support
- Routing for RIP, BGP, OSPF, Mesh, Multi-cast, IP filtering
- DNS relay, server
- DHCP server, relay, client
- SNMP/SSH/Telnet/Java Client
- WDS (wireless distribution service) for transparent bridging
- VPN support
- MPLS/VPLS support
- SMB storage
- Comprehensive scripting
- Layer 2 management utility
- Complete network management system

WARRANTY

- One year parts and labor on electronics for defects in manufacturing
- Extended warranty available at additional cost

SUPPLIED ACCESSORIES



Ethernet Crossover Cable



Pole Mount



90-240VAC to 18VDC PS



1GB PoE Power Injector

	WRAPterBASE2	WRAPterBASE5	WRAPterBASE9
Frequency	2GHz	5GHz	900MHz
Operating Frequency	2402-2467MHz FCC 2402-2472MHz World	5180-5825MHz	902-928MHz
Antenna Gain	2x15dBi	2x16dBi	11dBi
Horizontal Beamwidth	90 deg.(-3dBi)/120 deg (-6dBi)	90 deg.(-3dBi)/120 deg (-6dBi)	90 deg.
Vertical Beamwidth	12 deg.	10 deg.	32 deg.
Polarization	Dual horz and vert	Dual horz and vert	Vertical
Lightning Protection	DC Ground	DC ground	DC Ground
Materials	UV Protected Polycarbonate Aluminium back plate	UV Protected Polycarbonate Aluminium back plate	UV Protected Polycarbonate Aluminium back plate

	WRAPterSTATION2	WRAPterSTATION5-16	WRAPterSTATION5-21	WRAPterSTATION9
Frequency	2GHz	5GHz	5GHz	900MHz
Operating Frequency	2402-2467MHz FCC 2402-2472MHz World	5180-5825MHz	5180-5825MHz	902-928MHz
Antenna Gain	2x14dBi	2x16dBi	2x21dBi	10dBi
Horizontal Beamwidth	38 deg.	38 deg.	10 deg.	55 deg.
Vertical Beamwidth	38 deg.	20 deg.	20 deg.	60 deg.
Polarization	Dual horz and vert	Dual horz and vert	Dual horz and vert	Dual horz and vert
Lightning Protection	DC Ground	DC ground	DC Ground	DC Ground
Materials	UV Protected Polycarbonate	UV Protected Polycarbonate	UV Protected Polycarbonate	UV Protected Polycarbonate

Contact Us

Call toll-free: +1-800-541-5589

Inquiries: sales@hautspot.net

Web: www.hautspot.net